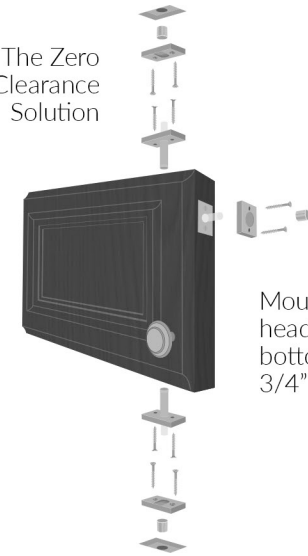


GHOSTOP™

Introducing the first magnetic flush mount, cabinet door holder-doorstop in the USA. Ghostop's unique mechanical action uses a retracting pin to alleviate trip hazards, and makes GHOSTOP virtually invisible to the eye, maintaining a sophisticated and modern detail. GHOSTOP is powered by a concealed rare-earth magnet to ensure an exceptionally strong and smooth stop action. GHOSTOP doorstop solution kit comes with highly-durable plate with retracting pin, strike plate in stainless steel or brass with proprietary graduated recess, magnet, decorative screws, and installation guide.

THE DOOR STOPS HERE™

The Zero Clearance Solution



Mount from head, side, or bottom jambs of 3/4" minimum

PATENT PENDING

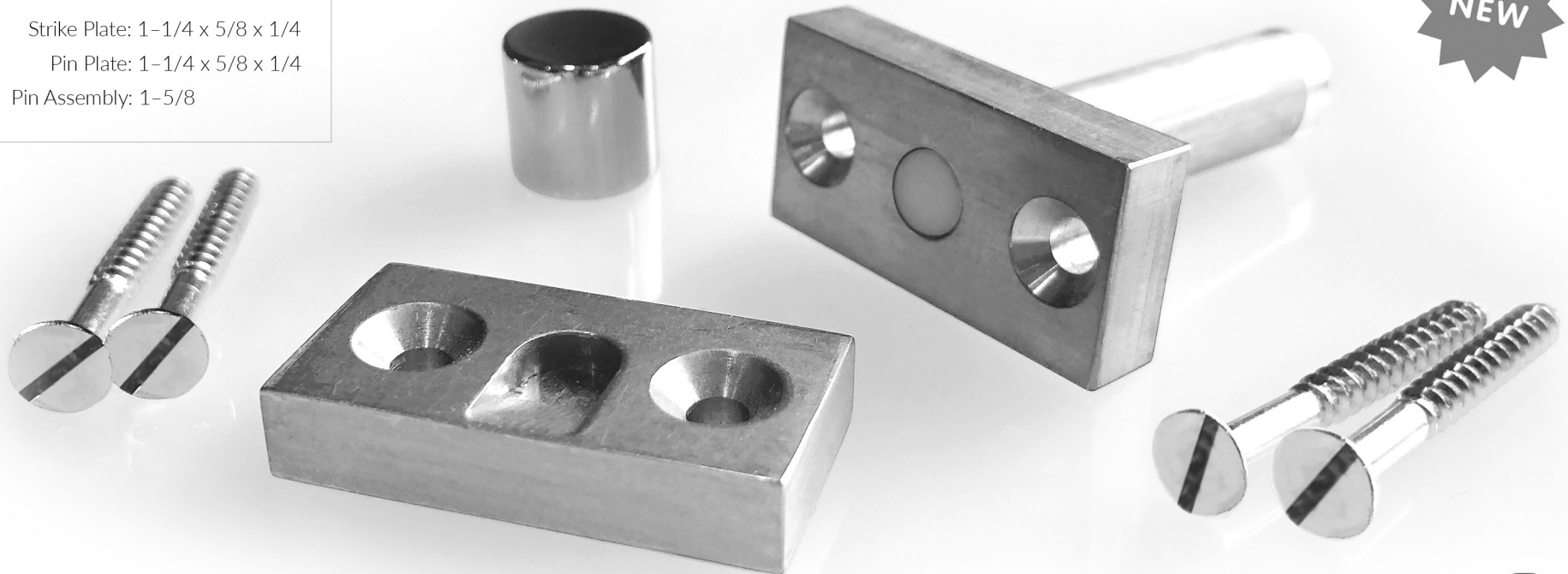
GS100

Available in all US Standards.

Strike Plate: 1-1/4 x 5/8 x 1/4

Pin Plate: 1-1/4 x 5/8 x 1/4

Pin Assembly: 1-5/8



info@ghostop.com

Learn more **GHOSTOP.COM**

